



EMW® compact filters in ISO 16890 Filter Classes (formerly EN 779) and EN 1822 Filter Classes E10-H14

Compact Filters & Filter Boxes

Compact Filters

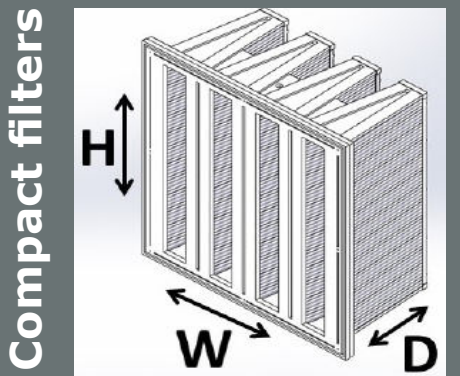
EMW® compact filters provide extremely long service life. Their medium structure and inlet flow masks are harmonized in design for optimum aerodynamic compatibility. This ensures low initial pressure drop which remains virtually constant throughout subsequent operation.

EMW® compact filters have high-quality glass-fibre media which provide consistently high filtration efficiency over the filter's service life. Available in ISO 16890 (formerly EN 779) and HEPA Filter Classes, they offer up to 40m² filter surface area in a space-saving compact configuration.

The filter medium is securely mounted on the plastic frame with a cast airtight joint. A continuous foamed-in-place seal over the joint further ensures airtightness.



In ISO-ePM (formerly M6-F9) and E10-H14 filter classes



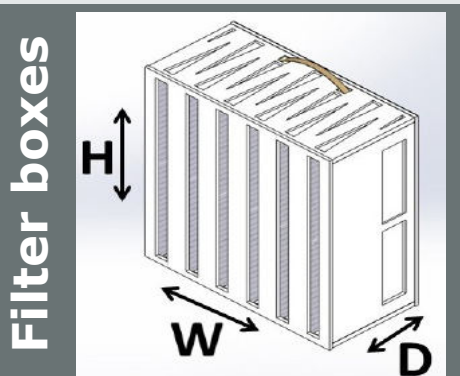
Dimensions (WxHxD)

592 x 592 x 296 mm

490 x 592 x 296 mm

287 x 592 x 296 mm

592 x 592 x 400 mm



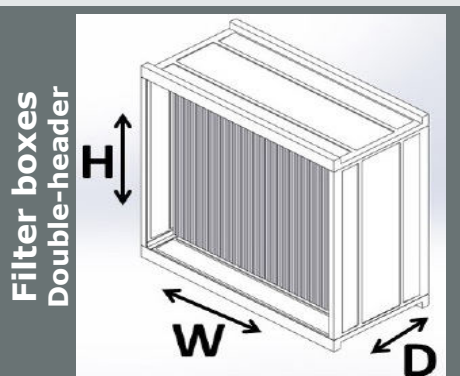
Dimensions (WxHxD)

610 x 610 x 292 mm

305 x 610 x 292 mm

592 x 592 x 292 mm

287 x 592 x 292 mm



Dimensions (WxHxD)

592 x 592 x 292 mm

Other dimensions available on request